

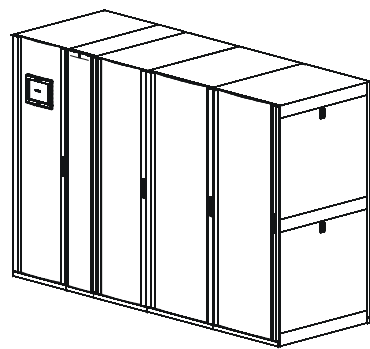
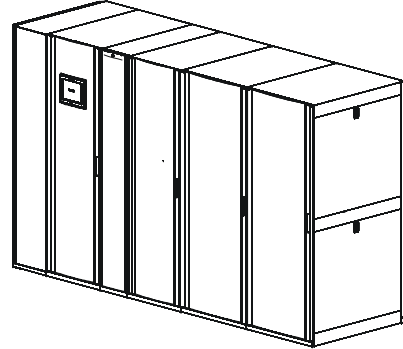


Receiving and Unpacking

Symmetra® PX 250/500 kW

Symmetra PX with MBwD

Symmetra PX without MBwD



IMPORTANT SAFETY INSTRUCTIONS SAVE THESE INSTRUCTIONS

Symbols used



Warning: Indicates a hazard, which, if not avoided, could result in injury or death.



Caution: Read this information to avoid equipment damage.



Heavy: Indicates a heavy load that should not be lifted without assistance.

Shipping Weights and Dimensions

Modules

Module	Weight kg (lb)	Height mm (in)	Width mm (in)	Depth mm (in)
Power module	48 (106)	285 (11.22)	585 (23.03)	935 (36.81)
Battery unit	27 (60)	178 (7.08)	108 (4.25)	610 (24.00)
250 kW SSW module	105 (231)	930 (36.61)	780 (30.71)	915 (36.02)
500 kW SSW module	134 (295)	930 (36.61)	780 (30.71)	915 (36.02)

Enclosures

Enclosure	Weight kg (lb)	Height mm (in)	Width mm (in)	Depth mm (in)
Input/Output/Bypass	375 (827)	2135 (84.06)	745 (29.33)	1210 (47.64)
Input/Output/Bypass and MBwD	752 (1658)	2150 (84.65)	1120 (44.09)	1270 (50)
Power Module	280 (617)	2135 (84.06)	750 (29.53)	1210 (47.64)
Battery	431 (950)	2150 (84.65)	1120 (44.09)	1270 (50)
Bottom Feed	186 (410)	2135 (84.06)	745 (29.33)	1210 (47.64)
Battery Side Car	185 (408)	2150 (84.65)	745 (29.33)	1210 (47.64)

Receiving

External inspection. When the shipment arrives, inspect the shipping material for any signs of damage or mishandling. Do not attempt to install the system if damage is apparent. If any damage is noted, contact APC and file a damage claim with the shipping agency within 24 hours.

Compare the components of the shipment with the bill of lading. Report any missing items to the carrier and to APC immediately.

Verify that labelled units match the order confirmation.

Moving to Installation Site



Caution: If the height of the enclosure exceeds the height of the doorway, remove the enclosure from the pallet.



Caution: If the width of the Input/Output/ Bypass Enclosure and Maintenance Bypass with Distribution (MBwD) (1003 mm/39.47 in) exceeds the width of the doorway, unpack the unit and remove the front door of the MBwD. This reduces the width to 982.7 mm (38.67 in). The Input/Output/ Bypass Enclosure and MBwD can also be separated. Call APC for assistance.



Caution: Ensure that the floor and sub-floor can support the total weight of the system when concentrated on the stabilizing feet.



Caution: The enclosures must be unpacked and installed on a level floor.



Do not tip the enclosure more than 45° as it will cause damage to the enclosure.



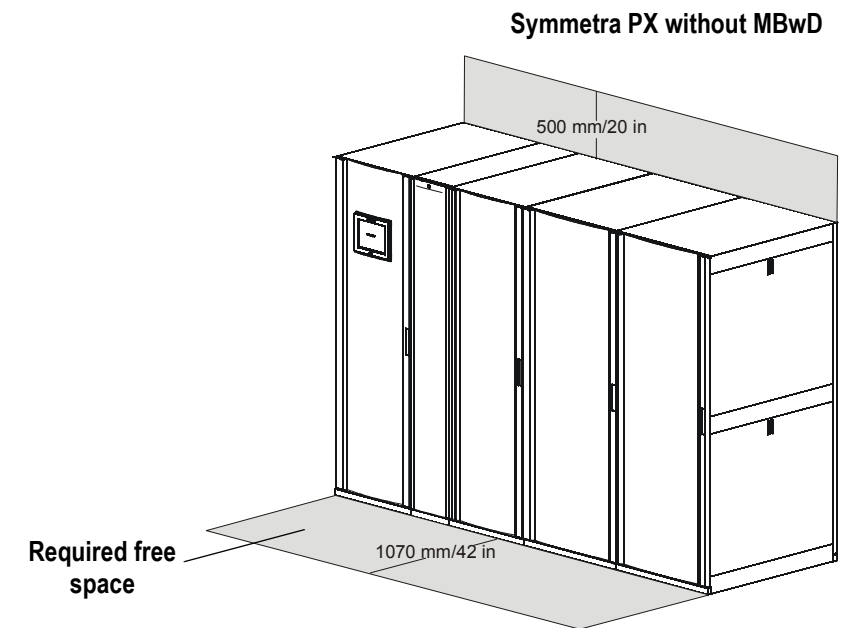
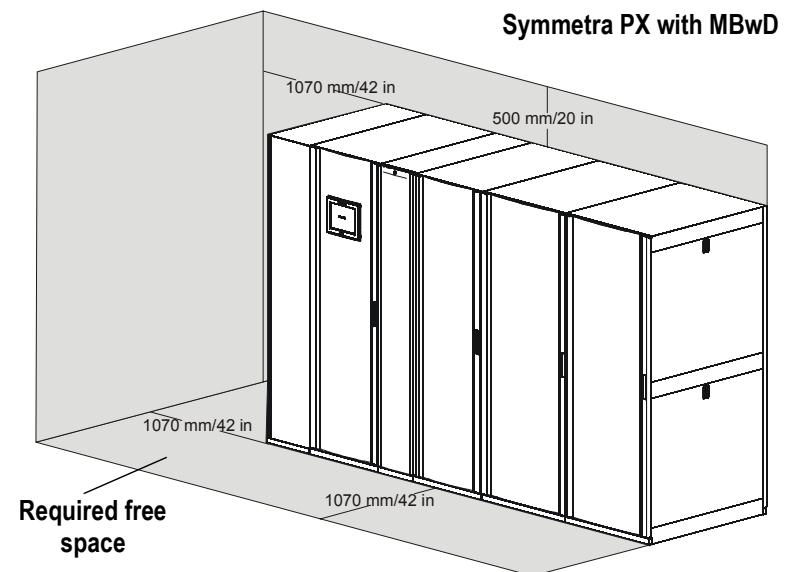
Use a pallet jack or a forklift for components over 54 kg (120 lb).

Space Considerations



Warning: The required free space to other equipment containing live parts is 1219 mm/48 in.

The UPS system can be placed up against the wall as there is no requirement for rear access.



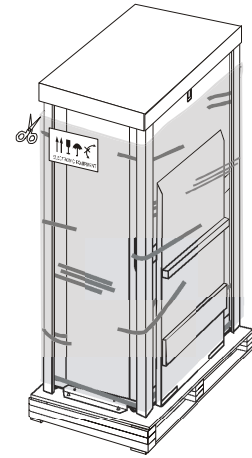
Unpacking

How to unpack the enclosures

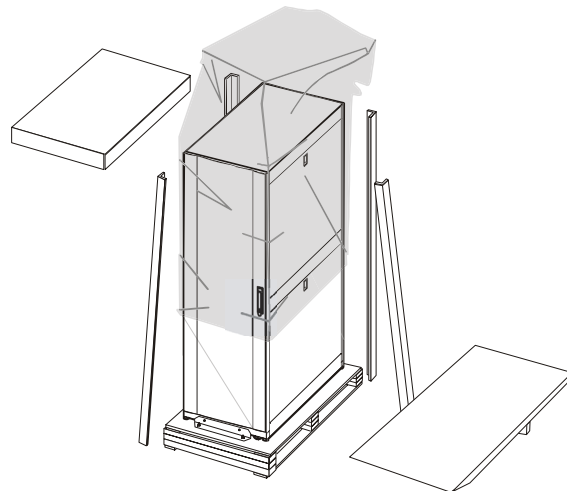


Caution: Do not unpack the units before the time of the installation.

1. Cut the plastic wrap along the edges.



2. Remove the plastic wrap, cardboard covers and the ramp and set the ramp aside.



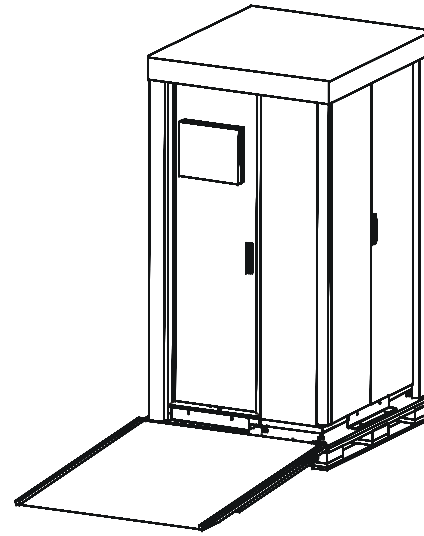
3. Remove the stabilizing brackets from the front and back of the enclosures.



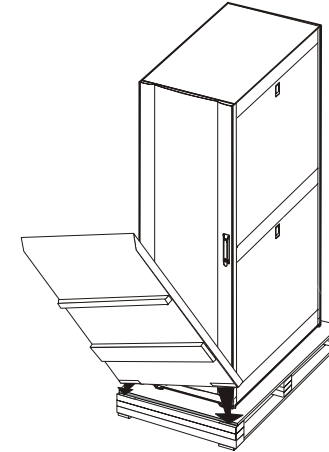
Caution: The back door enclosure brackets should be reinstalled after removal of the stabilizing brackets.

4.

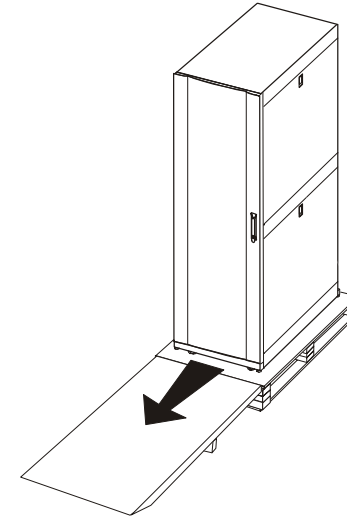
For the Input/Output/Bypass and MBwD, let the two taps on the ramp slide into the holes on the front of the pallet.



For the other enclosures, align the hook-and-loop tape strips on the ramp to the tape strips on the pallet.



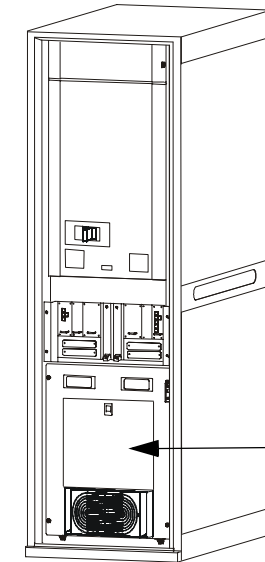
5. Roll the enclosure off the pallet.



Documentation Storage

The documentation is stored in the documentation storage tray in the Static Switch Module at the bottom of the Input/Output/Bypass Enclosure.

Input/Output/Bypass Enclosure



Documentation Storage

Contact Information

For local, country-specific centers: go to www.apc.com/support/contact.

Please Recycle



The shipping materials are recyclable. Save them for later use, or dispose of them appropriately.

Storage Conditions

Storage Temperature: -15°-40°C (5°-104°F)	Relative Humidity: 0-95% Non-condensing	Altitude: 0-15000 m (0-50000 ft)